



# FLORIDA DEPARTMENT OF TRANSPORTATION - DISTRICT FOUR

## Daytime Detours for Drainage Installation

### Swinton Avenue Resurfacing Project

From S. 10th Street to NE 4th Street/Lake Ida Road in the City of Delray Beach  
Financial Project ID Number: 438389-1-52-01

### Swinton Avenue Resurfacing Project — Drainage Installation between SE 4th Street and SW 5th Street

Construction Cost: \$1,482,069

Construction Start: April 14, 2020

Anticipated Completion: Early 2021

#### DAYTIME DETOURS FOR DRAINAGE INSTALLATION

- S. Swinton Avenue, between SE 4th Street and SW 5th Street may be closed daily, 7 a.m. until 6 p.m., Monday, May 11, through Friday, May 15 for underground drainage installation in the roadway
- **Detour:** Motorists may detour via SE 4th Street, SW 4th Avenue, and SW 7th St. during this time
- Access will be provided to residences located between SW 5th Street and SE 4th Street during work operations
- Pedestrian access will be maintained at all times
- Please note, this work will not begin until the drainage installation is completed from SW 8th Street to SW 8th Court
- When daytime detours are not in place, lane closures can be expected, daily, 7 a.m. until 6 p.m., Monday through Friday, and 8 a.m. until 4 p.m. Saturday (when approved)

#### PROJECT IMPROVEMENTS

- Milling and resurfacing the existing travel lanes and shoulders
- Adding 5-foot wide sidewalk on the west side of the roadway from S 10th Street to S 3rd Street
- Drainage, signage and pavement marking upgrades including roadway striping for shared use travel lanes
- Minor signalization improvements to existing equipment
- Minor tree removal (approximately 20 trees)

#### CONTACT INFORMATION

**Khosrow "KG" Gandjei, FDOT Project Manager**

khosrow.gandjei@dot.state.fl.us or

(561) 531-3877

**Jennifer Valmer, FDOT Project Administrator**

jennifer.valmer@dot.state.fl.us or

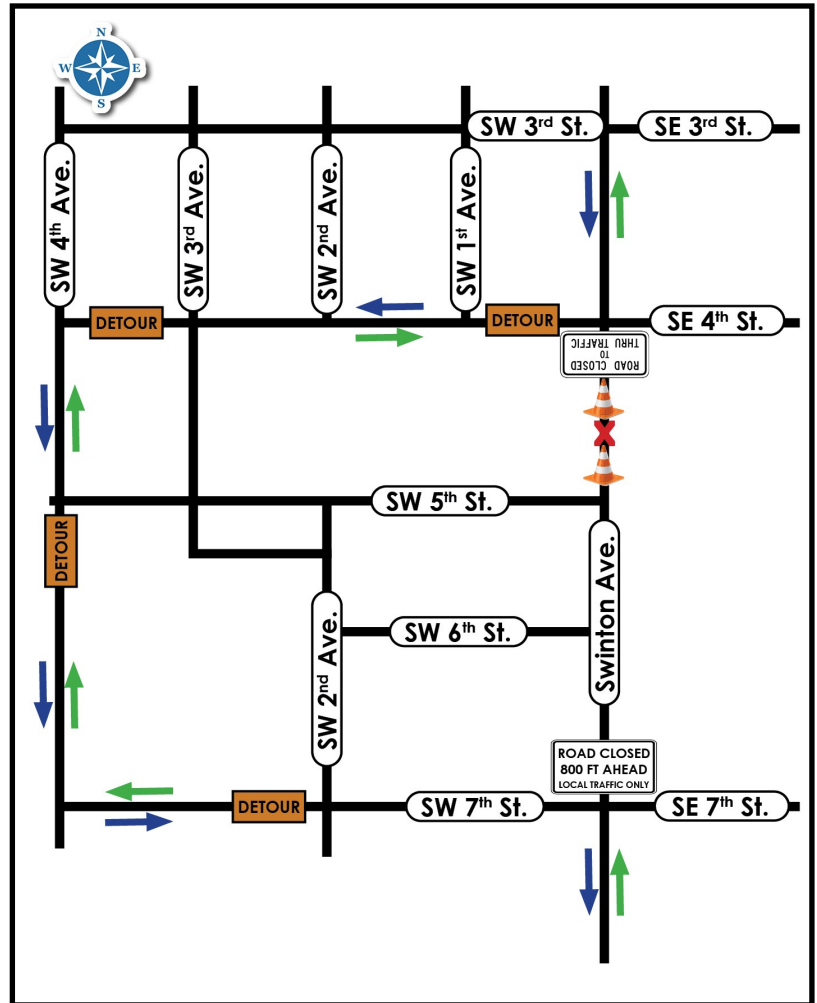
(561) 598-9234

**Meredith Cruz, Community Outreach Manager**

mcruz@corradino.com or

(561) 641-6440

**Project website:** [www.d4fdot.com](http://www.d4fdot.com)



#### FLORIDA DEPARTMENT OF TRANSPORTATION MISSION STATEMENT

The Department will provide a safe transportation system that ensures the mobility of people and goods, enhances economic prosperity, and preserves the quality of our environment and communities.